

FEATURES

- Highly Integrated IC Reduces Solution Size
- Uses Small Transformers:
5.8mm × 5.8mm × 3mm
- Fast Photoflash Charge Times:
4.6s for LT3468 (0V to 320V, 100μF, $V_{IN} = 3.6V$)
5.7s for LT3468-2 (0V to 320V, 100μF, $V_{IN} = 3.6V$)
5.5s for LT3468-1 (0V to 320V, 50μF, $V_{IN} = 3.6V$)
- Controlled Input Current:
500mA (LT3468)
375mA (LT3468-2)
225mA (LT3468-1)
- Supports Operation from Single Li-Ion Cell, or Any Supply from 2.5V up to 16V
- Adjustable Output Voltage
- No Output Voltage Divider Needed
- Charges Any Size Photoflash Capacitor
- Low Profile (<1mm) SOT-23 Package

APPLICATIONS

- Digital / Film Camera Flash
- PDA / Cell Phone Flash
- Emergency Strobe

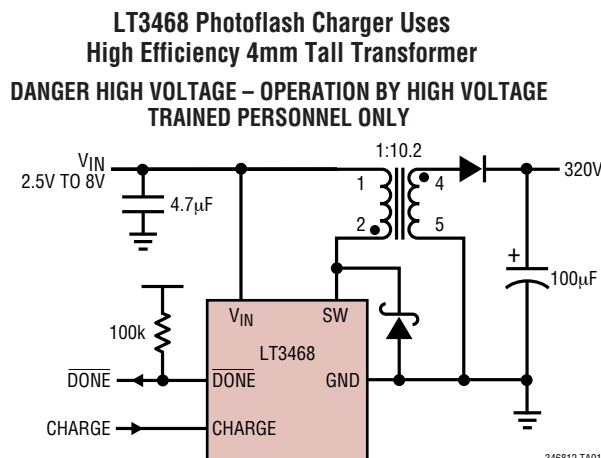
DESCRIPTION

The LT[®]3468/LT3468-1/LT3468-2 are highly integrated ICs designed to charge photoflash capacitors in digital and film cameras. A patented control technique* allows for the use of extremely small transformers. Each device contains an on-chip high voltage NPN power switch. Output voltage detection* is completely contained within the device, eliminating the need for any discrete zener diodes or resistors. The output voltage can be adjusted by simply changing the turns ratio of the transformer. The LT3468 has a primary current limit of 1.4A, the LT3468-2 has a 1A limit, and the LT3468-1 has a 0.7A limit. These different current limit levels result in well controlled input currents of 500mA for the LT3468, 375mA for the LT3468-2 and 225mA for the LT3468-1. Aside from the differing current limit, the three devices are otherwise equivalent.

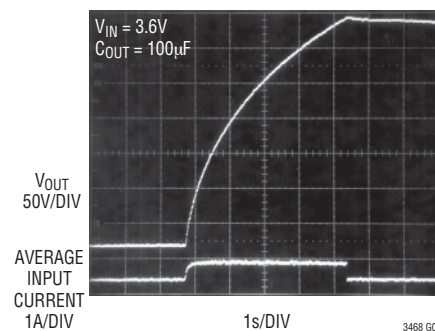
The CHARGE pin gives full control of the part to the user. Driving CHARGE low puts the part in shutdown. The \overline{DONE} pin indicates when the part has completed charging. The LT3468 series of parts are available in tiny low profile (1mm) SOT-23 packages.

LT, LTC and LT are registered trademarks of Linear Technology Corporation. ThinSOT is a trademark of Linear Technology Corporation. All other trademarks are the property of their respective owners. *Protected by U.S. Patents, including 6518733.

TYPICAL APPLICATION



LT3468 Charging Waveform



LT3468/LT3468-1/LT3468-2

ABSOLUTE MAXIMUM RATINGS

(Note 1)

V_{IN} Voltage	16V
SW Voltage	-0.4V to 50V
CHARGE Voltage	10V
DONE Voltage	10V
Current into \overline{DONE} Pin	± 1 mA
Maximum Junction Temperature	125°C
Operating Temperature Range (Note 2) ...	-40°C to 85°C
Storage Temperature Range	-65°C to 150°C
Lead Temperature (Soldering, 10 sec)	300°C

PACKAGE/ORDER INFORMATION

<p>TOP VIEW</p> <p>SW 1 GND 2 DONE 3</p> <p>5 VIN 4 CHARGE</p> <p>S5 PACKAGE 5-LEAD PLASTIC TSOT-23</p> <p>$T_{JMAX} = 125^{\circ}\text{C}$ $\theta_{JA} = 150^{\circ}\text{C ON BOARD OVER GROUND PLANE}$ $\theta_{JC} = 90^{\circ}\text{C/W}$</p>	ORDER PART NUMBER
	LT3468ES5 LT3468ES5-1 LT3468ES5-2
	S5 PART MARKING
	LTAEC LTAGQ LTBCH

Consult LTC Marketing for parts specified with wider operating temperature ranges.

ELECTRICAL CHARACTERISTICS

The ● denotes the specifications which apply over the full operating temperature range, otherwise specifications are at $T_A = 25^{\circ}\text{C}$. $V_{IN} = 3\text{V}$, $V_{CHARGE} = V_{IN}$ unless otherwise noted. (Note 2) Specifications are for the LT3468, LT3468-1 and LT3468-2 unless otherwise noted.

PARAMETER	CONDITIONS	MIN	TYP	MAX	UNITS
Quiescent Current	Not Switching $V_{CHARGE} = 0\text{V}$		5 0	8 1	mA μA
Input Voltage Range		● 2.5		16	V
Switch Current Limit	LT3468 (Note 3) LT3468-2 LT3468-1	1.1 0.77 0.45	1.2 0.87 0.55	1.3 0.97 0.65	A A A
Switch V_{CESAT}	LT3468, $I_{SW} = 1\text{A}$ LT3468-2, $I_{SW} = 650\text{mA}$ LT3468-1, $I_{SW} = 400\text{mA}$		330 210 150	430 280 200	mV mV mV
V_{OUT} Comparator Trip Voltage	Measured as $V_{SW} - V_{IN}$	● 31	31.5	32	V
V_{OUT} Comparator Overdrive	300ns Pulse Width		200	400	mV
DCM Comparator Trip Voltage	Measured as $V_{SW} - V_{IN}$	● 10	36	80	mV
CHARGE Pin Current	$V_{CHARGE} = 3\text{V}$ $V_{CHARGE} = 0\text{V}$		15 0	40 0.1	μA μA
Switch Leakage Current	$V_{IN} = V_{SW} = 5\text{V}$, in Shutdown	●	0.01	1	μA
CHARGE Input Voltage High		● 1			V
CHARGE Input Voltage Low		●		0.3	V
Minimum Charge Pin Low Time	High→Low→High		20		μs
\overline{DONE} Output Signal High	100k Ω from V_{IN} to \overline{DONE}		3		V
\overline{DONE} Output Signal Low	33 μA into \overline{DONE} Pin		100	200	mV
\overline{DONE} Leakage Current	$V_{\overline{DONE}} = 3\text{V}$, \overline{DONE} NPN Off		20	100	nA

Note 1: Absolute Maximum Ratings are those values beyond which the life of a device may be impaired.

Note 2: The LT3468E/LT3468E-1/LT3468E-2 are guaranteed to meet performance specifications from 0°C to 70°C. Specifications over the

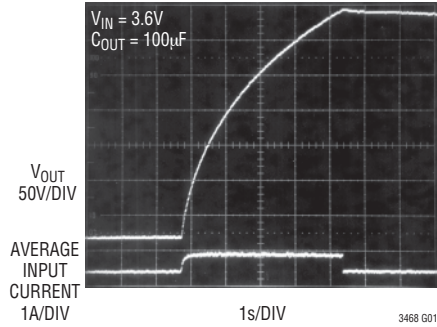
-40°C to 85°C operating temperature range are assured by design, characterization and correlation with statistical process.

Note 3: Specifications are for static test. Current limit in actual application will be slightly higher.

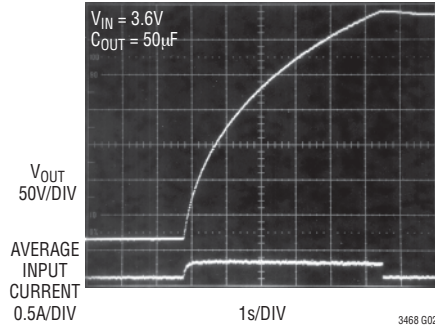
346812fa

TYPICAL PERFORMANCE CHARACTERISTICS LT3468 curves use the circuit of Figure 6, LT3468-1 curves use the circuit of Figure 7 and LT3468-2 use the circuit of Figure 8 unless otherwise noted.

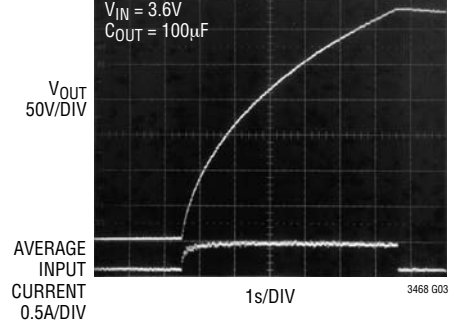
LT3468 Charging Waveform



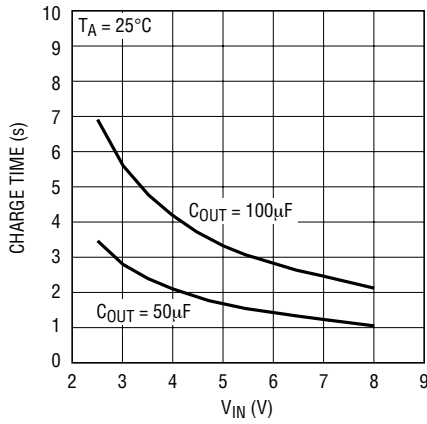
LT3468-1 Charging Waveform



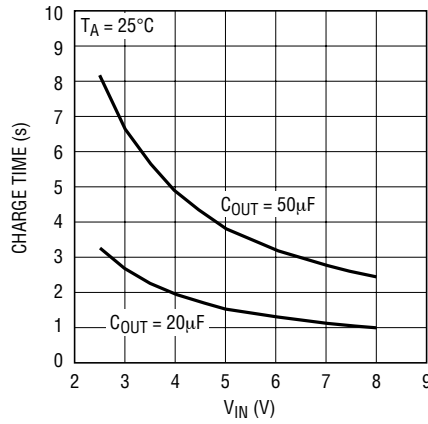
LT3468-2 Charging Waveform



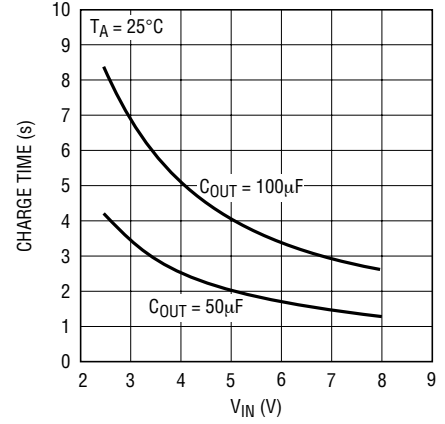
LT3468 Charge Time



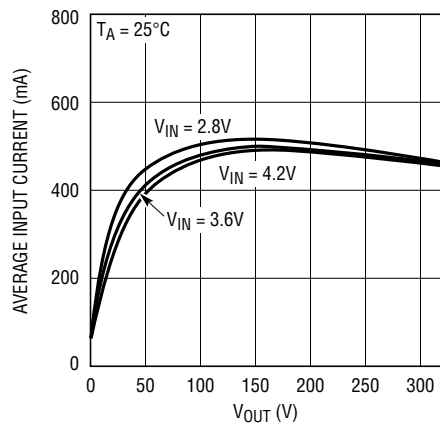
LT3468-1 Charge Time



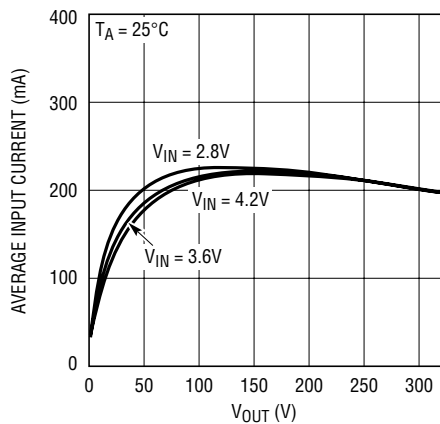
LT3468-2 Charge Time



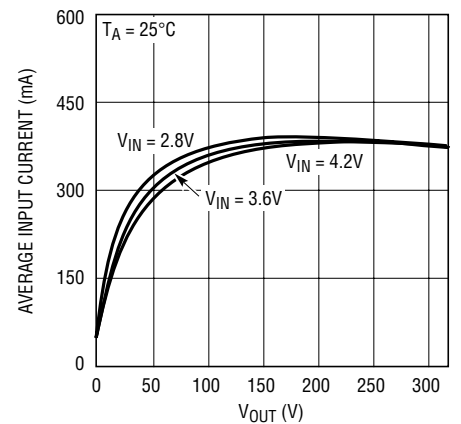
LT3468 Input Current



LT3468-1 Input Current



LT3468-2 Input Current

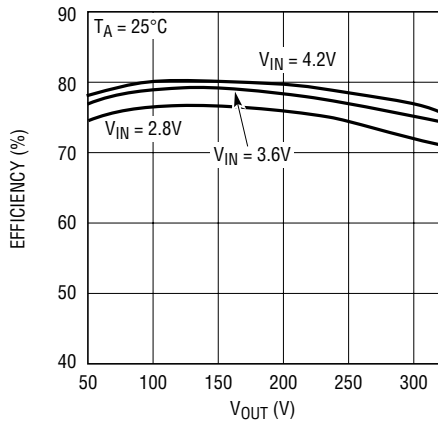


LT3468/LT3468-1/LT3468-2

TYPICAL PERFORMANCE CHARACTERISTICS

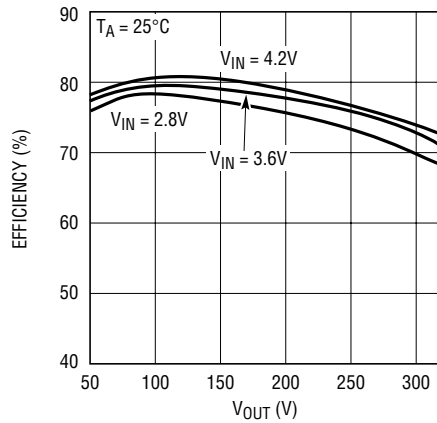
LT3468 curves use the circuit of Figure 6, LT3468-1 curves use the circuit of Figure 7 and LT3468-2 use the circuit of Figure 8 unless otherwise noted.

LT3468 Efficiency



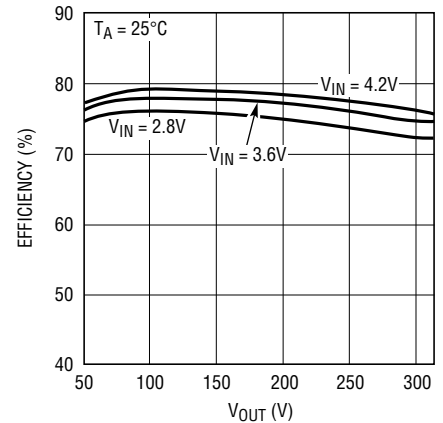
3468 G10

LT3468-1 Efficiency



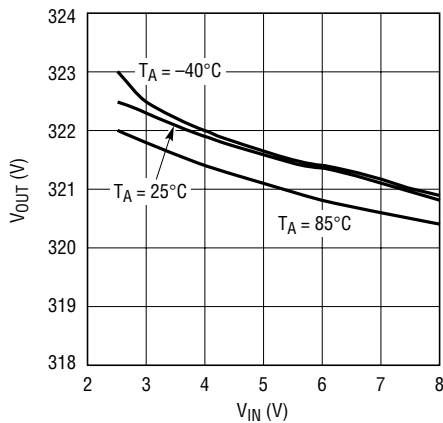
3468 G11

LT3468-2 Efficiency



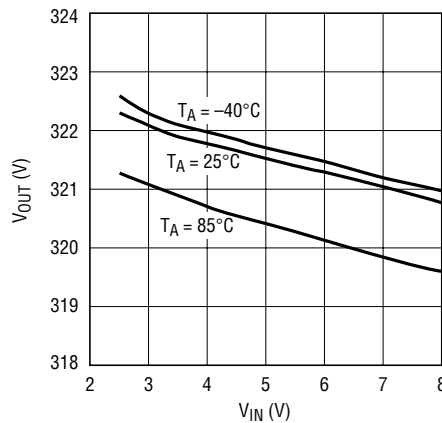
3468 G12

LT3468 Output Voltage



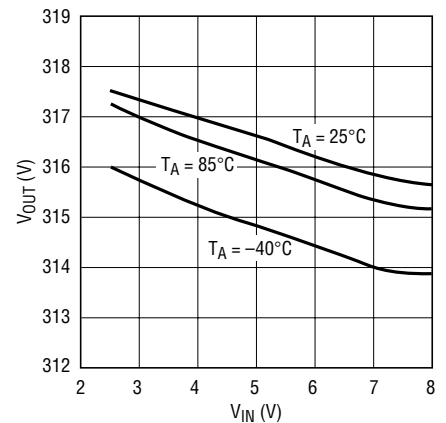
3468 G13

LT3468-1 Output Voltage



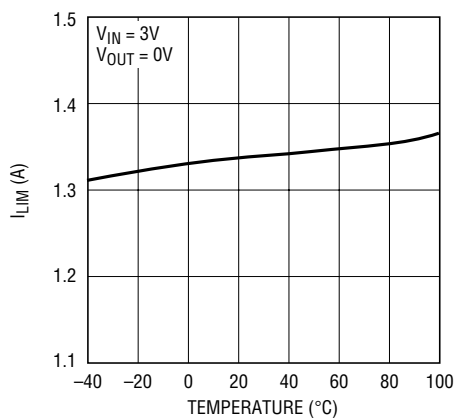
3468 G14

LT3468-2 Output Voltage



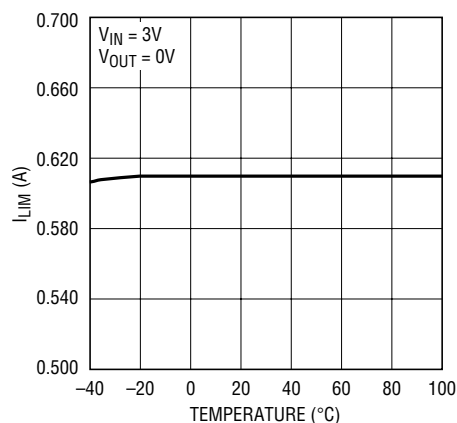
3468 G15

LT3468 Switch Current Limit



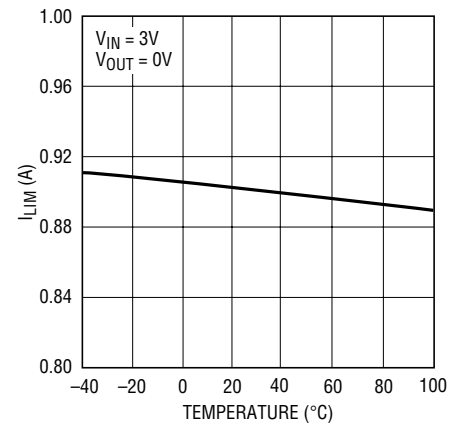
3468 G16

LT3468-1 Switch Current Limit



3468 G17

LT3468-2 Switch Current Limit

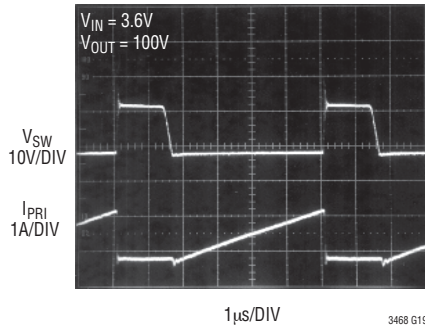


3468 G18

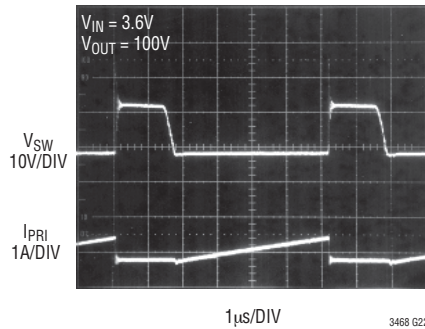
346812fa

TYPICAL PERFORMANCE CHARACTERISTICS LT3468 curves use the circuit of Figure 6, LT3468-1 curves use the circuit of Figure 7 and LT3468-2 use the circuit of Figure 8 unless otherwise noted.

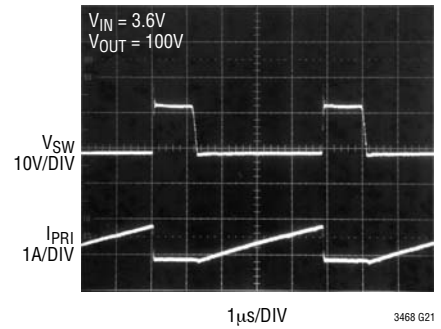
LT3468 Switching Waveform



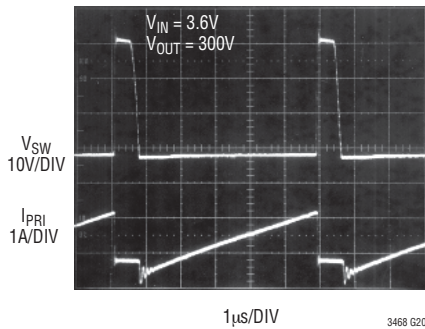
LT3468-1 Switching Waveform



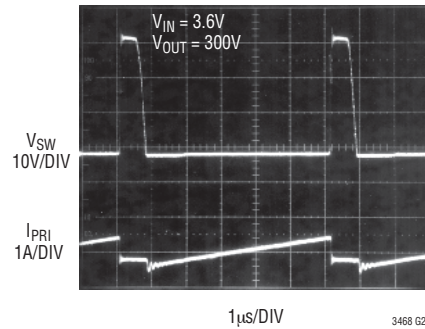
LT3468-2 Switching Waveform



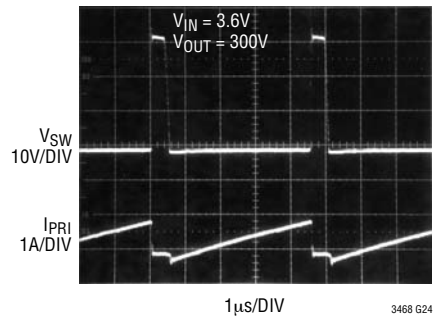
LT3468 Switching Waveform



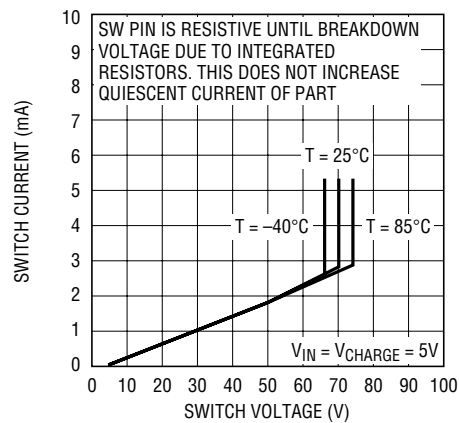
LT3468-1 Switching Waveform



LT3468-2 Switching Waveform



**LT3468/LT3468-1/LT3468-2
Switch Breakdown Voltage**



PIN FUNCTIONS

SW (Pin 1): Switch Pin. This is the collector of the internal NPN Power switch. Minimize the metal trace area connected to this pin to minimize EMI. Tie one side of the primary of the transformer to this pin. The target output voltage is set by the turns ratio of the transformer.

Choose Turns Ratio N by the following equation:

$$N = \frac{V_{OUT} + 2}{31.5}$$

Where: V_{OUT} is the desired output voltage.

You must tie a Schottky diode from GND to SW, with the anode at GND for proper operation of the circuit. Please refer to the applications section for further information.

GND (Pin 2): Ground. Tie directly to local ground plane.

DONE (Pin 3): Open NPN Collector Indication Pin. When target output voltage is reached, NPN turns on. This pin needs a pull-up resistor or current source.

CHARGE (Pin 4): Charge Pin. This pin must be brought high (>1V) to enable the part. A low (<0.3V) to high (>1V) transition on this pin puts the part into power delivery mode. Once the target output voltage is reached, the part will stop charging the output. Toggle this pin to start charging again. **Ground to shut down.** You may bring this pin low during a charge cycle to halt charging at any time.

V_{IN} (Pin 5): Input Supply Pin. Must be locally bypassed with a good quality ceramic capacitor. Input supply must be 2.5V or higher.

BLOCK DIAGRAM

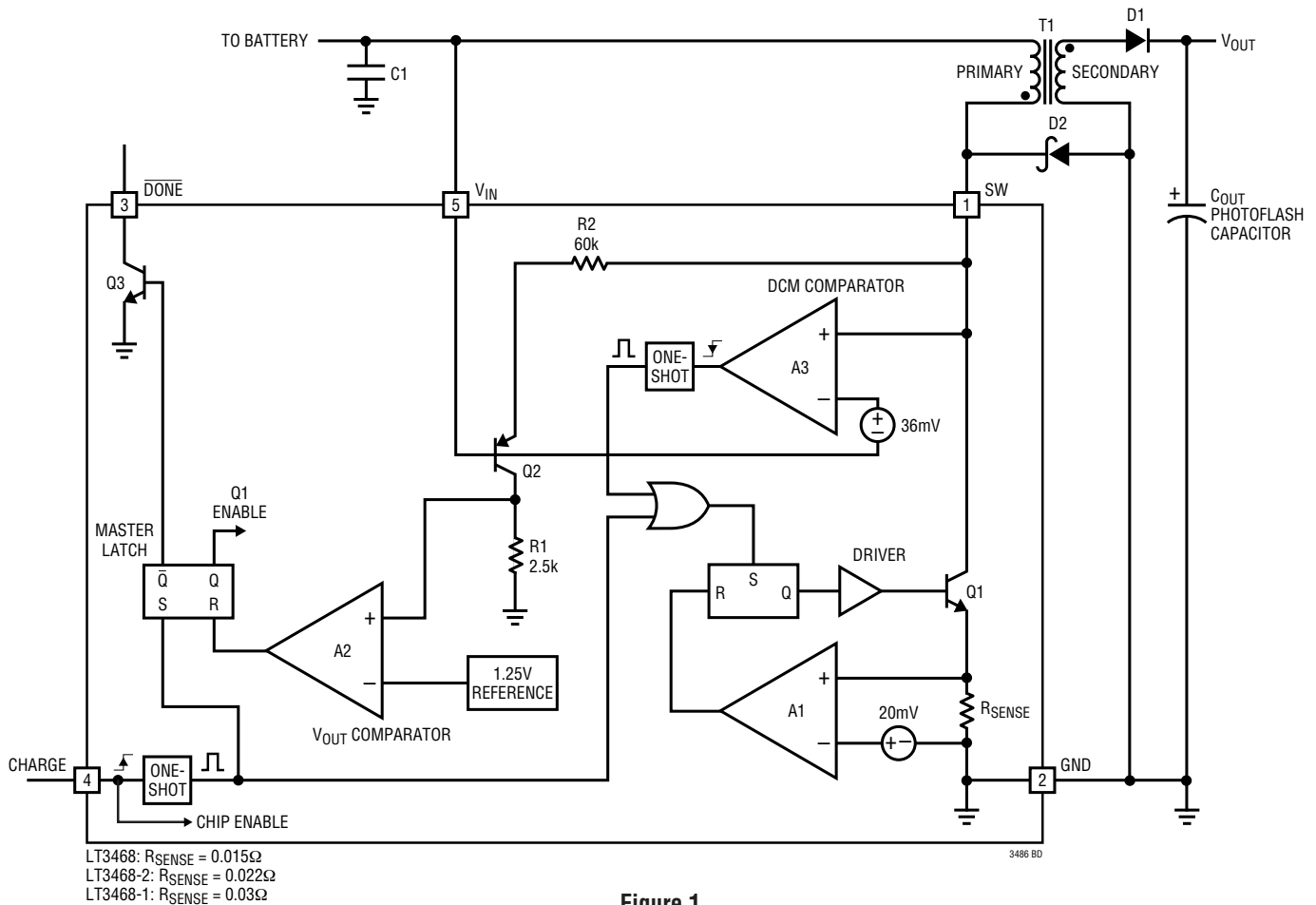


Figure 1

OPERATION

The LT3468/LT3468-1/LT3468-2 are designed to charge photoflash capacitors quickly and efficiently. The operation of the part can be best understood by referring to Figure 1. When the CHARGE pin is first driven high, a one shot sets both SR latches in the correct state. The power NPN device, Q1, turns on and current begins ramping up in the primary of transformer T1. Comparator A1 monitors the switch current and when the peak current reaches 1.4A (LT3468), 1A(LT3468-2) or 0.7A (LT3468-1), Q1 is turned off. Since T1 is utilized as a flyback transformer, the flyback pulse on the SW pin will cause the output of A3 to be high. The voltage on the SW pin needs to be at least 36mV higher than V_{IN} for this to happen.

During this phase, current is delivered to the photoflash capacitor via the secondary and diode D1. As the secondary current decreases to zero, the SW pin voltage will begin to collapse. When the SW pin voltage drops to 36mV above V_{IN} or lower, the output of A3 (DCM Comparator) will go low. This fires a one shot which turns Q1 back on. This cycle will continue to deliver power to the output.

Output voltage detection is accomplished via R2, R1, Q2, and comparator A2 (V_{OUT} Comparator). Resistors R1 and R2 are sized so that when the SW voltage is 31.5V above V_{IN} , the output of A2 goes high which resets the master latch. This disables Q1 and halts power delivery. NPN transistor Q3 is turned on pulling the \overline{DONE} pin low,

indicating that the part has finished charging. Power delivery can only be restarted by toggling the CHARGE pin.

The CHARGE pin gives full control of the part to the user. The charging can be halted at any time by bringing the CHARGE pin low. Only when the final output voltage is reached will the \overline{DONE} pin go low. Figure 2 shows these various modes in action. When CHARGE is first brought high, charging commences. When CHARGE is brought low during charging, the part goes into shutdown and V_{OUT} no longer rises. When CHARGE is brought high again, charging resumes. When the target V_{OUT} voltage is reached, the \overline{DONE} pin goes low and charging stops. Finally the CHARGE pin is brought low again so the part enters shutdown and the \overline{DONE} pin goes high.

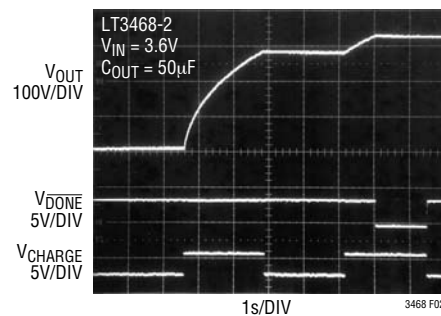


Figure 2. Halting the Charging Cycle with the CHARGE Pin

APPLICATIONS INFORMATION

Choosing The Right Device (LT3468/LT3468-1/LT3468-2)

The only difference between the three versions of the LT3468 is the peak current level. For the fastest possible charge time, use the LT3468. The LT3468-1 has the lowest peak current capability, and is designed for applications that need a more limited drain on the batteries. Due to the lower peak current, the LT3468-1 can use a physically smaller transformer. The LT3468-2 has a current limit in between that of the LT3468 and the LT3468-1.

Transformer Design

The flyback transformer is a key element for any LT3468/LT3468-1/LT3468-2 design. It must be designed carefully

and checked that it does not cause excessive current or voltage on any pin of the part. The main parameters that need to be designed are shown in Table 1.

The first transformer parameter that needs to be set is the turns ratio N. The LT3468/LT3468-1/LT3468-2 accomplish output voltage detection by monitoring the flyback waveform on the SW pin. When the SW voltage reaches 31.5V higher than the V_{IN} voltage, the part will halt power delivery. Thus, the choice of N sets the target output voltage as it changes the amplitude of the reflected voltage from the output to the SW pin. Choose N according to the following equation:

$$N = \frac{V_{OUT} + 2}{31.5}$$

APPLICATIONS INFORMATION

Where: V_{OUT} is the desired output voltage. The number 2 in the numerator is used to include the effect of the voltage drop across the output diode(s).

Thus for a 320V output, N should be 322/31.5 or 10.2. For a 300V output, choose N equal to 302/31.5 or 9.6.

The next parameter that needs to be set is the primary inductance, L_{PRI} . Choose L_{PRI} according to the following formula:

$$L_{PRI} \geq \frac{V_{OUT} \cdot 200 \cdot 10^{-9}}{N \cdot I_{PK}}$$

Where: V_{OUT} is the desired output voltage. N is the transformer turns ratio. I_{PK} is 1.4 (LT3468), 0.7 (LT3468-1), and 1.0 (LT3468-2).

L_{PRI} needs to be equal or larger than this value to ensure that the LT3468/LT3468-1/LT3468-2 has adequate time to respond to the flyback waveform.

All other parameters need to meet or exceed the recommended limits as shown in Table 1. A particularly important parameter is the leakage inductance, L_{LEAK} . When the power switch of the LT3468/LT3468-1/LT3468-2 turns

off, the leakage inductance on the primary of the transformer causes a voltage spike to occur on the SW pin. **The height of this spike must not exceed 40V**, even though the absolute maximum rating of the SW Pin is 50V. The 50V absolute maximum rating is a DC blocking voltage specification, which assumes that the current in the power NPN is zero. Figure 3 shows the SW voltage waveform for the circuit of Figure 6(LT3468). Note that the absolute maximum rating of the SW pin is not exceeded. Make sure to check the SW voltage waveform with V_{OUT} near the target output voltage, as this is the worst case condition for SW voltage. Figure 4 shows the various limits on the SW voltage during switch turn off.

It is important not to minimize the leakage inductance to a very low level. Although this would result in a very low leakage spike on the SW pin, the parasitic capacitance of the transformer would become large. This will adversely effect the charge time of the photoflash circuit.

Linear Technology has worked with several leading magnetic component manufacturers to produce pre-designed flyback transformers for use with the LT3468/LT3468-1/LT3468-2. Table 2 shows the details of several of these transformers.

Table 1. Recommended Transformer Parameters

PARAMETER	NAME	TYPICAL RANGE LT3468	TYPICAL RANGE LT3468-1	TYPICAL RANGE LT3468-2	UNITS
L_{PRI}	Primary Inductance	>5	>10	>7	μ H
L_{LEAK}	Primary Leakage Inductance	100 to 300	200 to 500	200 to 500	nH
N	Secondary: Primary Turns Ratio	8 to 12	8 to 12	8 to 12	
V_{ISO}	Secondary to Primary Isolation Voltage	>500	>500	>500	V
I_{SAT}	Primary Saturation Current	>1.6	>0.8	>1.0	A
R_{PRI}	Primary Winding Resistance	<300	<500	<400	m Ω
R_{SEC}	Secondary Winding Resistance	<40	<80	<60	Ω

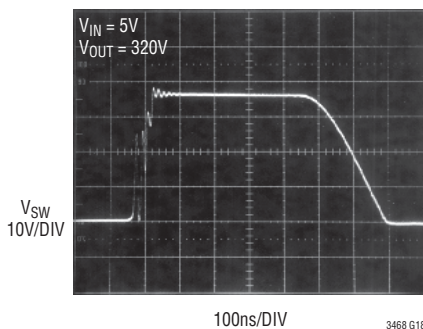


Figure 3. LT3468 SW Voltage Waveform

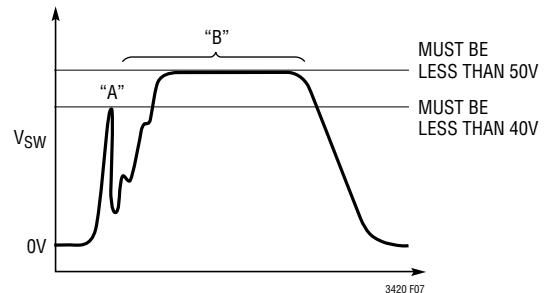


Figure 4. New Transformer Design Check (Not to Scale).

APPLICATIONS INFORMATION

Table 2. Pre-Designed Transformers - Typical Specifications Unless Otherwise Noted.

FOR USE WITH	TRANSFORMER NAME	SIZE (W × L × H) mm	L _{PRI} (μH)	LPRI-LEAKAGE (nH)	N	R _{PRI} (mΩ)	R _{SEC} (Ω)	VENDOR
LT3468/LT3468-2 LT3468-1	SBL-5.6-1 SBL-5.6S-1	5.6 × 8.5 × 4.0 5.6 × 8.5 × 3.0	10 24	200 Max 400 Max	10.2 10.2	103 305	26 55	Kijima Musen Hong Kong Office 852-2489-8266 (ph) kijimahk@netvigator.com (email)
LT3468 LT3468-1 LT3468-2	LDT565630T-001 LDT565630T-002 LDT565630T-003	5.8 × 5.8 × 3.0 5.8 × 5.8 × 3.0 5.8 × 5.8 × 3.0	6 14.5 10.5	200 Max 500 Max 550 Max	10.4 10.2 10.2	100 Max 240 Max 210 Max	10 Max 16.5 Max 14 Max	TDK Chicago Sales Office (847) 803-6100 (ph) www.components.tdk.com
LT3468/LT3468-1 LT3468-1	T-15-089 T-15-083	6.4 × 7.7 × 4.0 8.0 × 8.9 × 2.0	12 20	400 Max 500 Max	10.2 10.2	211 Max 675 Max	27 Max 35 Max	Tokyo Coil Engineering Japan Office 0426-56-6262 (ph) www.tokyo-coil.co.jp

Capacitor Selection

For the input bypass capacitor, a high quality X5R or X7R type should be used. Make sure the voltage capability of the part is adequate.

Output Diode Selection

The rectifying diode(s) should be low capacitance type with sufficient reverse voltage and forward current ratings. The peak reverse voltage that the diode(s) will see is approximately:

$$V_{PK-R} = V_{OUT} + (N \cdot V_{IN})$$

The peak current of the diode is simply:

$$I_{PK-SEC} = \frac{1.4}{N} \text{ (LT3468)}$$

$$I_{PK-SEC} = \frac{1.0}{N} \text{ (LT3468-2)}$$

$$I_{PK-SEC} = \frac{0.7}{N} \text{ (LT3468-1)}$$

For the circuit of Figure 6 with V_{IN} of 5V, V_{PK-R} is 371V and I_{PK-SEC} is 137mA. The GSD2004S dual silicon diode is recommended for most LT3468/LT3468-1/LT3468-2 applications. Another option is to use the BAV23S dual silicon diodes. Diodes Incorporated makes a dual diode named MMBD3004S which also meets all the requirements. Table 3 shows the various diodes and relevant specifications. Use the appropriate number of diodes to achieve the necessary reverse breakdown voltage.

SW Pin Clamp Diode Selection

The diode D2 in Figure 6 is needed to clamp the SW node. Due to the new control scheme of the LT3468/LT3468-1/LT3468-2, the SW node may go below ground during a switch cycle. The clamp diode prevents the SW node from going too far below ground. The diode is required for proper operation of the circuit. The recommended diode

Table 3. Recommended Output Diodes

PART	MAX REVERSE VOLTAGE (V)	MAX FORWARD CONTINUOUS CURRENT (mA)	CAPACITANCE (pF)	VENDOR
GSD2004S (Dual Diode)	2x300	225	5	Vishay (402) 563-6866 www.vishay.com
BAV23S (Dual Diode)	2x250	225	5	Philips Semiconductor (800) 234-7381 www.philips.com
MMBD3004S	2x350	225	5	Diodes Incorporated (805) 446-4800 www.diodes.com

APPLICATIONS INFORMATION

should be a Schottky diode with at least a 500mA peak forward current capability. The diode forward voltage drop should be 600mV or less at 500mA of forward current. Reverse voltage rating should be 40V or higher. Table 4 shows various recommended clamping diodes.

Table 4. Recommended Clamp Diodes

PART	MAX REVERSE VOLTAGE (V)	VENDOR
ZHCS400	40	Zetex (631) 360-2222 www.zetex.com
B0540W	40	Diodes Inc. (805) 446-4800 www.diodes.com
MA2Z720	40	Panasonic (408) 487-9510 www.panasonic.co.jp

Board Layout

The high voltage operation of the LT3468/LT3468-1/LT3468-2 demands careful attention to board layout. You will not get advertised performance with careless layout. Figure 5 shows the recommended component placement.

Keep the area for the high voltage end of the secondary as small as possible. Also note the larger than minimum spacing for all high voltage nodes in order to meet break-down voltage requirements for the circuit board. *It is imperative to keep the electrical path formed by C1, the primary of T1, and the LT3468/LT3468-1/LT3468-2 as short as possible.* If this path is haphazardly made long, it will effectively increase the leakage inductance of T1, which may result in an overvoltage condition on the SW pin.

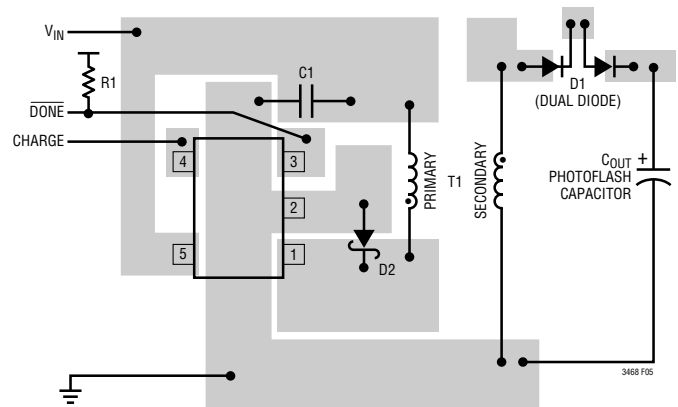
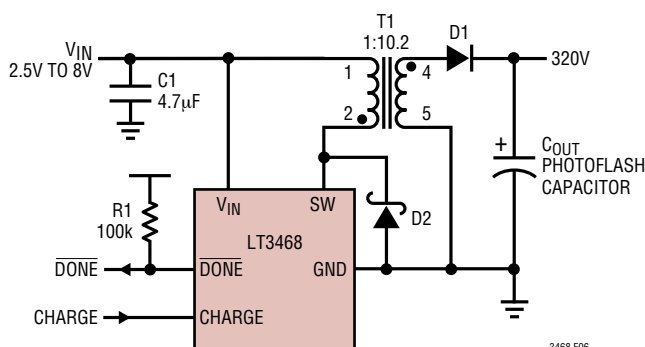


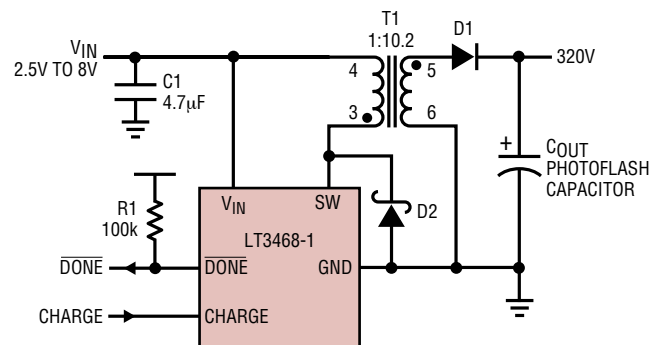
Figure 5. Suggested Layout: Keep Electrical Path Formed by C1, Transformer Primary and LT3468/LT3468-1/LT3468-2 Short

TYPICAL APPLICATIONS



C1: 4.7µF, X5R OR X7R, 10V
 T1: KIJIMA MUSEN PART# SBL-5.6-1, L_{PRI} = 10µH, N = 10.2
 D1: VISHAY GSD2004S DUAL DIODE CONNECTED IN SERIES
 D2: ZETEX ZHCS400 OR EQUIVALENT
 R1: PULL UP RESISTOR NEEDED IF DONE PIN USED

Figure 6. LT3468 Photoflash Charger Uses High Efficiency 4mm Tall Transformer



C1: 4.7µF, X5R OR X7R, 10V
 T1: KIJIMA MUSEN PART# SBL-5.6S-1, L_{PRI} = 24µH, N = 10.2
 D1: VISHAY GSD2004S DUAL DIODE CONNECTED IN SERIES
 D2: ZETEX ZHCS400 OR EQUIVALENT
 R1: PULL UP RESISTOR NEEDED IF DONE PIN USED

Figure 7. LT3468-1 Photoflash Charger Uses High Efficiency 3mm Tall Transformer

TYPICAL APPLICATIONS

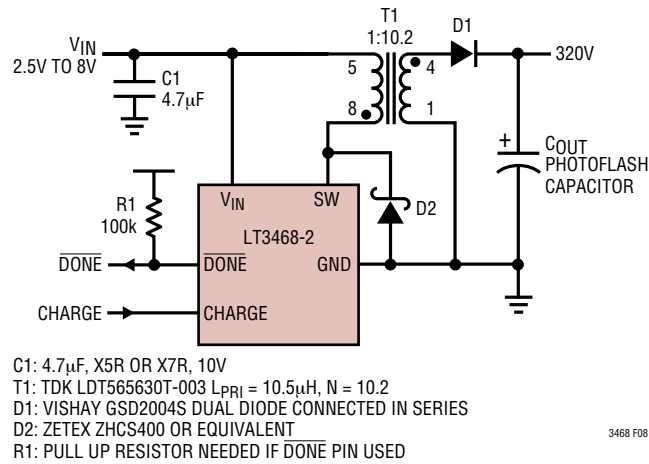
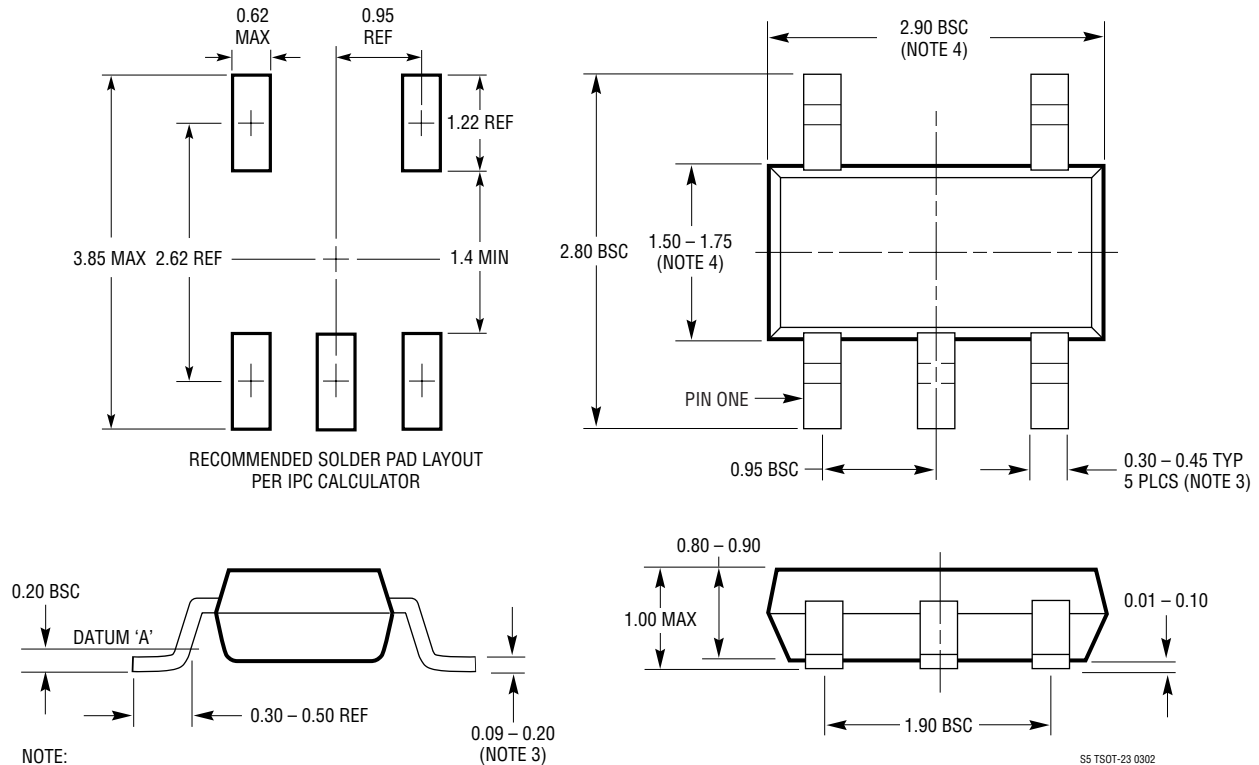


Figure 8. LT3468-2 Photoflash Charger Uses High Efficiency 3mm Tall Transformer

PACKAGE DESCRIPTION

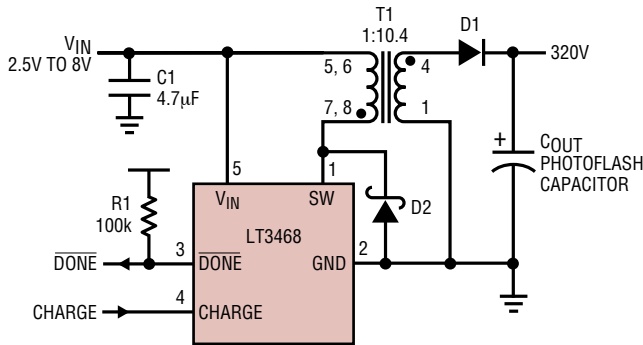
S5 Package
5-Lead Plastic TSOT-23
 (Reference LTC DWG # 05-08-1635)



LT3468/LT3468-1/LT3468-2

TYPICAL APPLICATIONS

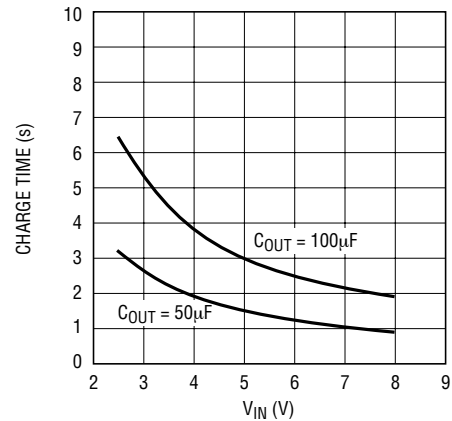
LT3468 Photoflash Circuit uses Tiny 3mm Tall Transformer



C1: 4.7µF, X5R OR X7R, 10V
 T1: TDK PART# LDT565630T-001, $L_{PRI} = 6\mu\text{H}$, $N = 10.4$
 D1: VISHAY GSD2004S DUAL DIODE CONNECTED IN SERIES
 D2: ZETEX ZHCS400 OR EQUIVALENT
 R1: PULL UP RESISTOR NEEDED IF DONE PIN USED

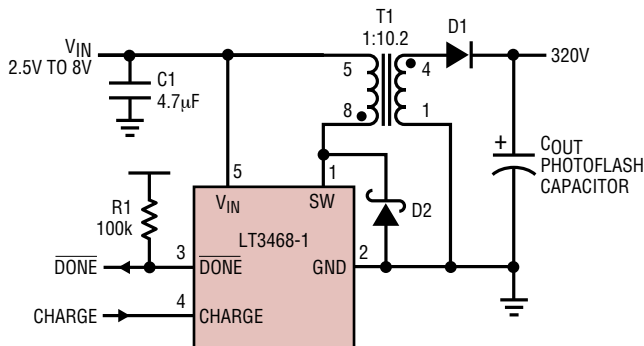
3468 TA03

Charge Time



3468 TA05

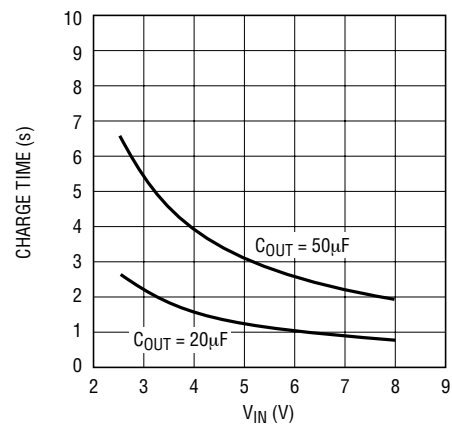
LT3468-1 Photoflash Circuit uses Tiny 3mm Tall Transformer



C1: 4.7µF, X5R OR X7R, 10V
 T1: TDK PART# LDT565630T-002, $L_{PRI} = 14.5\mu\text{H}$, $N = 10.2$
 D1: VISHAY GSD2004S DUAL DIODE CONNECTED IN SERIES
 D2: ZETEX ZHCS400 OR EQUIVALENT
 R1: PULL UP RESISTOR NEEDED IF DONE PIN USED

3468 TA04

Charge Time



3468 TA06

RELATED PARTS

PART NUMBER	DESCRIPTION	COMMENTS
LTC3407	Dual 600mA (I_{OUT}), 1.5MHz, Synchronous Step-Down DC/DC Converter	96% Efficiency, V_{IN} : 2.5V to 5.5V, $V_{OUT(MIN)}$: 0.6V, I_Q : 40µA, I_{SD} : <1µA, MS10E
LT3420/LT3420-1	1.4A/1A, Photoflash Capacitor Chargers with Automatic Top-Off	Charges 220µF to 320V in 3.7 seconds from 5V, V_{IN} : 2.2V to 16V, I_Q : 90µA, I_{SD} : <1µA, MS10
LTC3425	5A I_{SW} , 8MHz, Multi-Phase Synchronous Step-Up DC/DC Converter	95% Efficiency, V_{IN} : 0.5V to 4.5V, $V_{OUT(MIN)}$: 5.25V, I_Q : 12µA, I_{SD} : <1µA, QFN-32
LTC3440/LTC3441	600mA/1A (I_{OUT}), Synchronous Buck-Boost DC/DC Converter	95% Efficiency, V_{IN} : 2.5V to 5.5V, $V_{OUT(MIN)}$: 2.5V to 5.5V, I_Q : 25µA, I_{SD} : <1µA, MS-10, DFN-12

346812fa